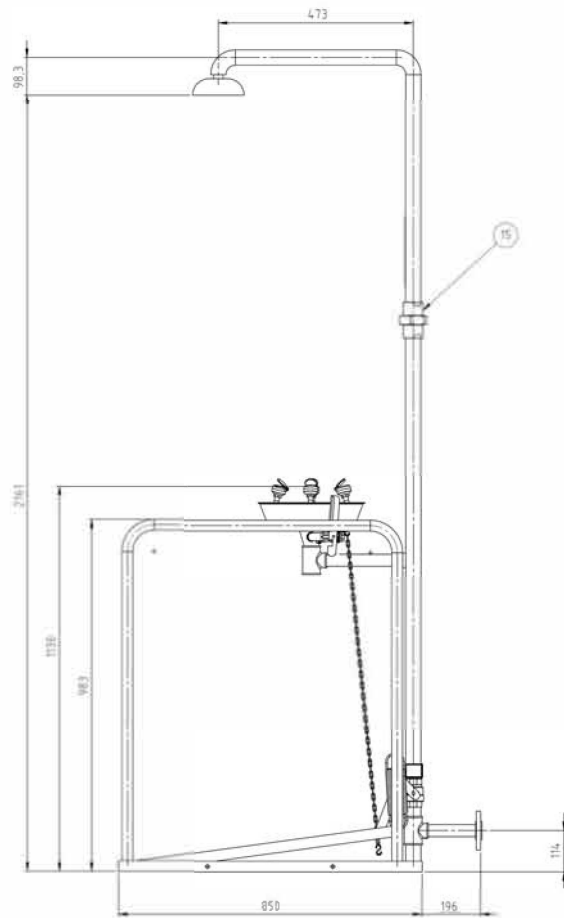


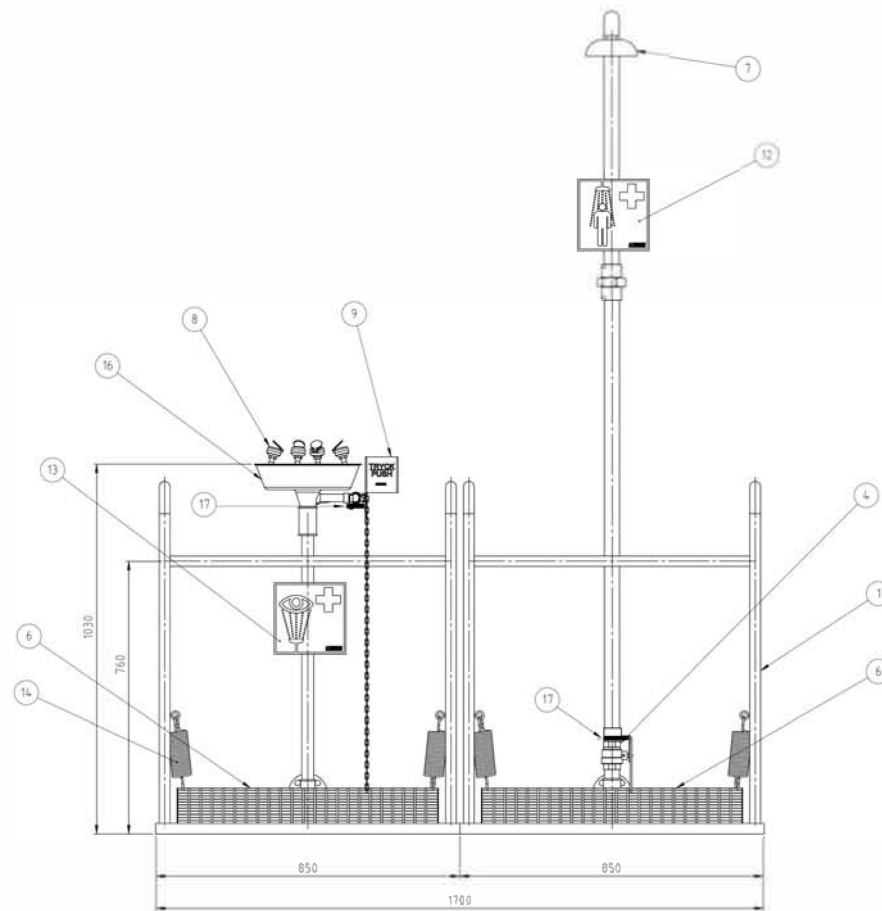
*Revidering meddelande:  
Denna ritning är inte den senaste versionen. Mindre ändringar gällande komponenter kan förväntas, men påverkan på funktionen är försumbar. Uppdaterad ritning förväntas i November 2023.*

Unless otherwise specified:

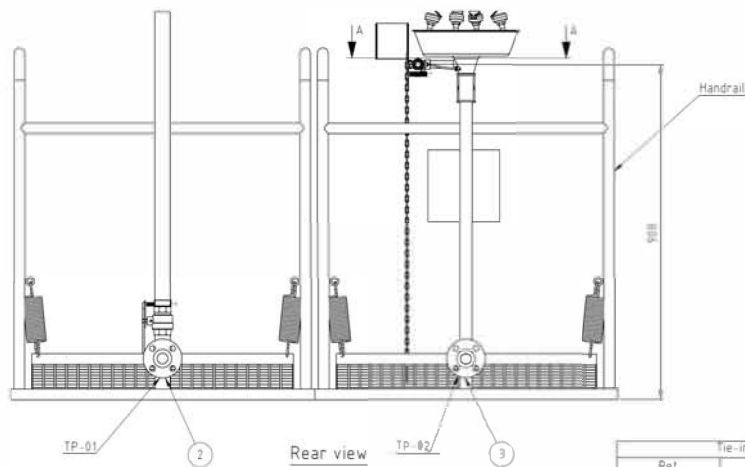
- Dimensions are in mm
- Pipe schedule 80 GCS for shower



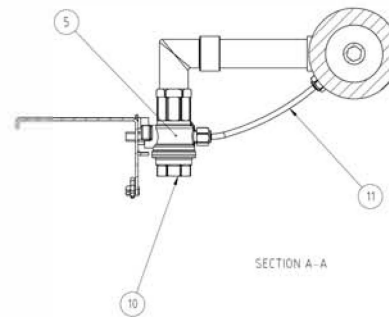
Right view



Front view



Rear view



SECTION A-A



3D view

Tie-in point schedule		
Ref	Size	Connection
TP-01	2"	AISI 150 LbFF
TP-02	3"	AISI 150 LbFF

Pos Nr	Qty	Description
17	2	Proximity switch IFM - NG5003
16	1	Eye wash bowl, stainless steel
15	1	Coupling Pipe 1" galvanised steel (SSEN 10255)
14	4	Spring, 316L
13	1	Emergency sign - Eye wash
12	1	Emergency sign - Body shower
11	1	Damage eyewash
10	1	1/2" female for incoming water - Eye wash
9	1	Push plate - Eye wash, 316L
8	1	Spray head and dust cover - Eye wash, ABS plastic
7	1	Shower head - Emergency shower, 316L
6	1	Step on grid, galvanised steel
5	1	Ball valve 1/2" - To eye wash, bronze 600psi
4	1	Ball valve 1 1/2" - To emergency shower, bronze 600psi
3	1	Flange 2" ANSI 150LbFF - Waste, eye wash
2	1	Flange 2" ANSI 150LbFF - Incoming water, emergency shower
1	1	Complete frame, Carbon steel, Powder coated yellow

MRT		DK	n/3	
<b>Krusman</b>		Emergency shower		
Model 7030		Dimension drawing		
+46 (0)21 34 92 00		www.krusman.com		