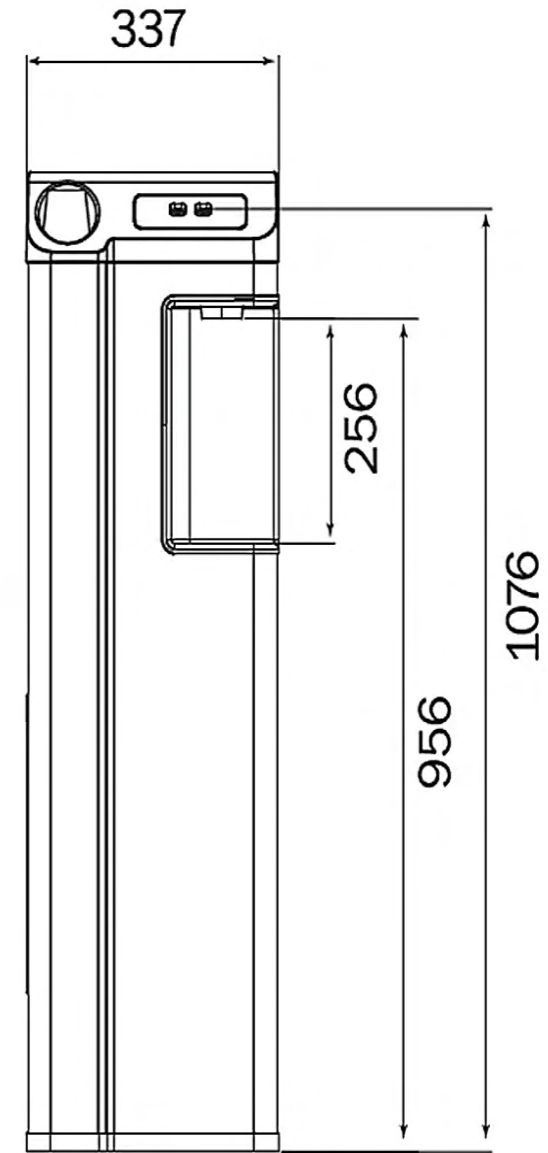
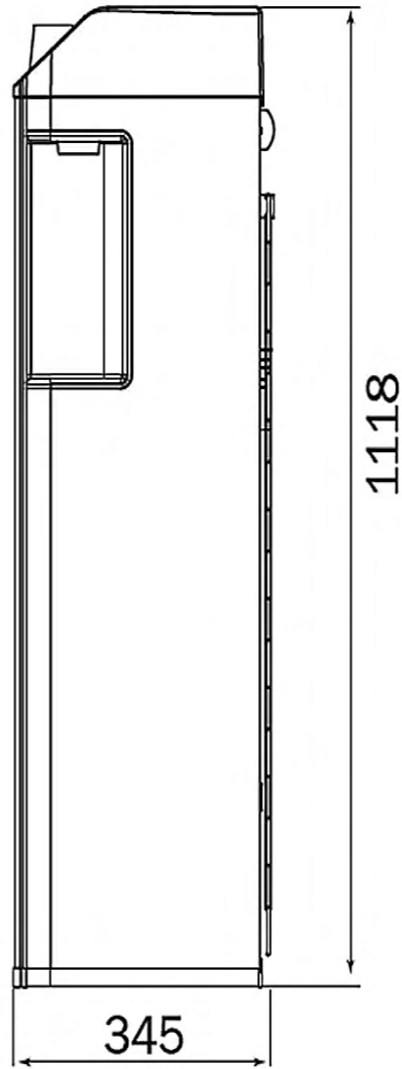
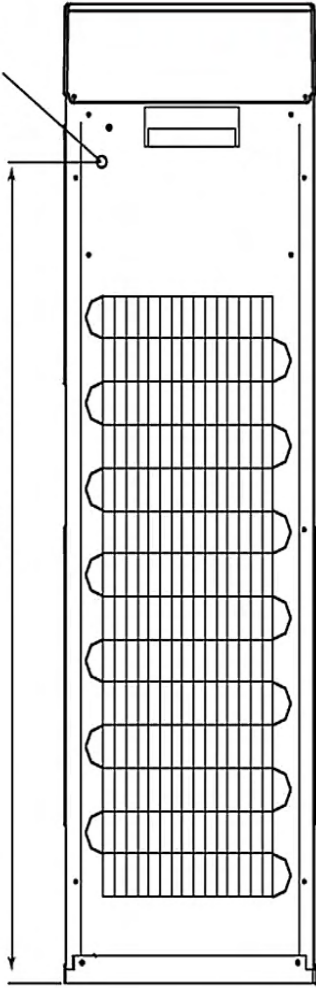




940 WATER INLET 3/4 or 1/4



This document must not be copied without our written permission, and the contents thereof must not be imparted to a third party nor be used for any unauthorized purpose. Contravention will be prosecuted.

Företag/Company   +46 (0)21 14 92 00 www.krusman.se	Konstruerad Av/Designed by	Godkänd Av/Approved by	Datum/Date	Skala/Scale	
		DK	2023-06-29	N/A	
Benämning/Description KND-WCA-F20 (RSK 7635004) Drinking water cooler, Floor, 20L Installation drawing				Format/Size	Ritningsnummer/Drawing number RKND-WCA-F20
				Rev	
				0	1 (1)