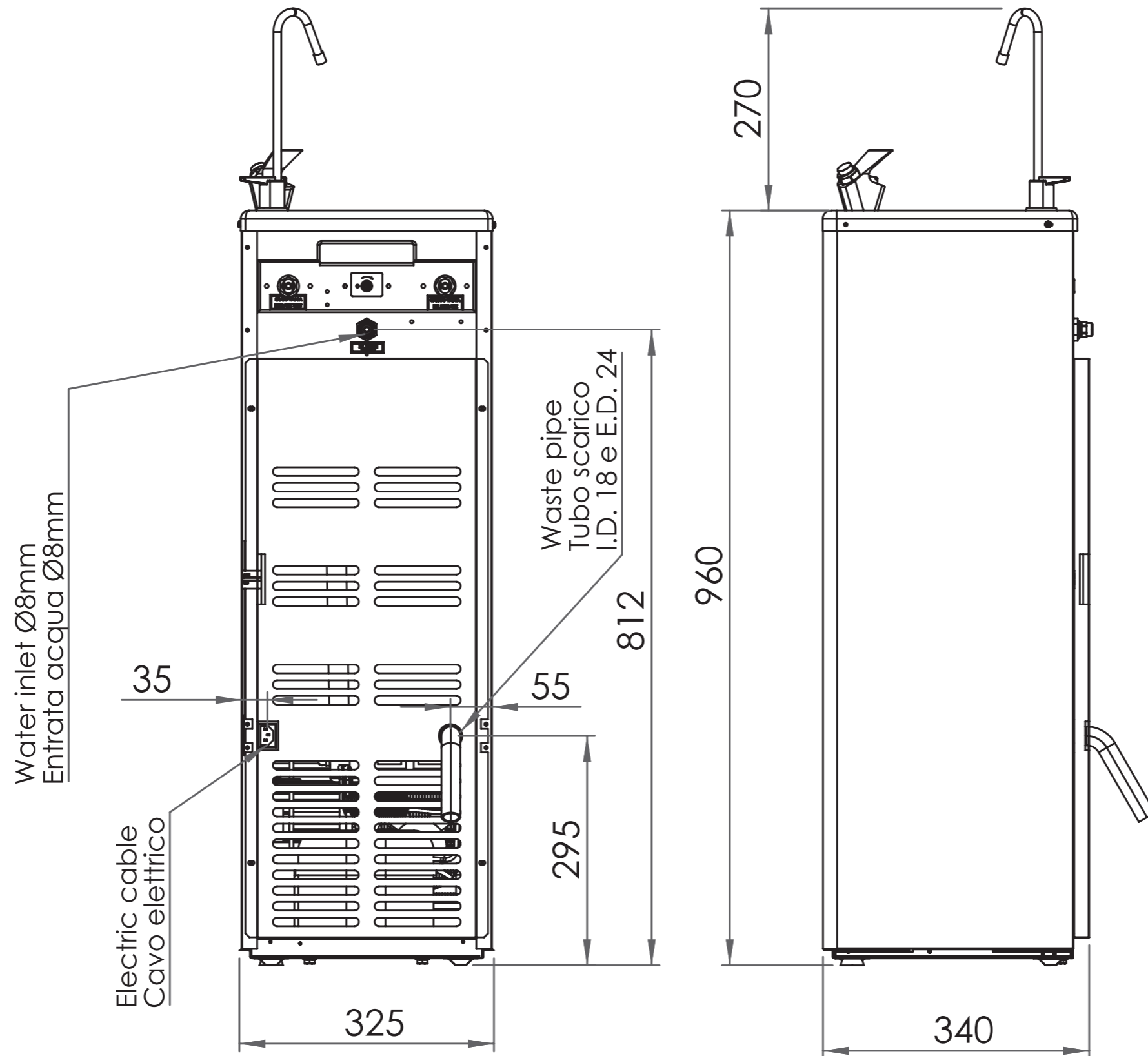
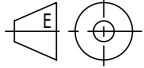

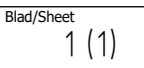


This document must not be copied without our written permission, and the contents thereof must not be imparted to a third party nor be used for any unauthorized purpose. Contravention will be prosecuted.



Företag/Company	Konstruerad Av/Designed by	Godkänd Av/Approved by	Datum/Date	Skala/Scale	
 +46 (0)21 14 92 00 www.krusman.se		DK	2023-06-29	N/A	
Benämning/Description KND-WCR-F30 (RSK 7635002) Drinking water cooler, Floor, 30L Installation drawing				Format/Size	
				A3	
				Ritningsnummer/Drawing number	1 (1)
				RKND-WCR-F30	
				Rev	
				0	