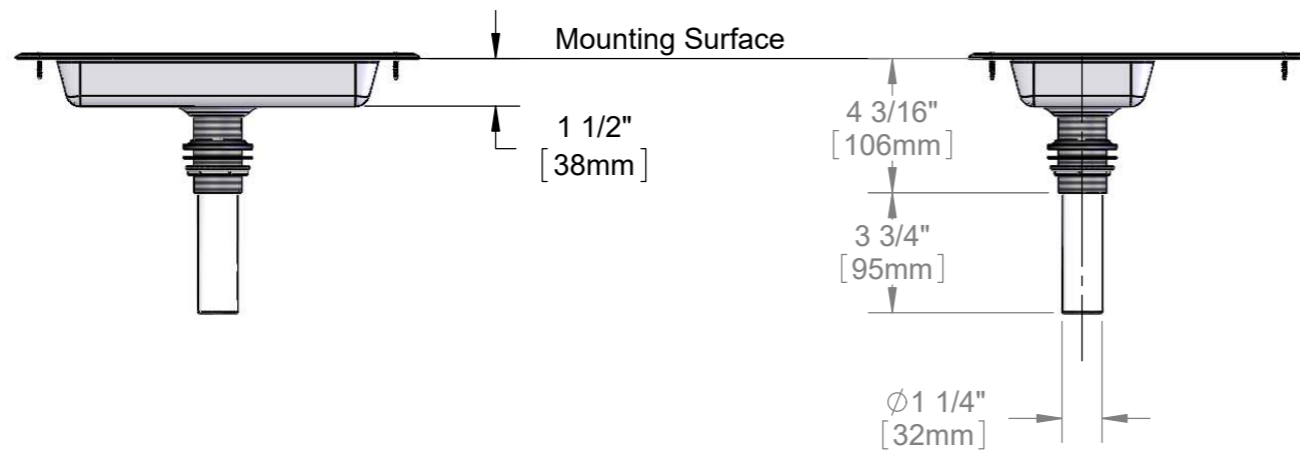



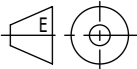
ITEM NO.	DESCRIPTION
1	Drip Pan Grid
2	Drip Pan Drain
3	Drip Pan



Note:

- 18 Gauge Stainless Steel Pan w/ Beaded Edge
Supplied w/ Mastic & Stainless Steel Screws for Mounting.
- Suggested Cut Out Size for Pan is 10-1/2" x 5". Customer to Verify Actual Cut Out Needed Prior to Installation.

This document must not be copied without our written permission, and the contents thereof must not be imparted to a third party nor be used for any unauthorized purpose. Contravention will be prosecuted.

Företag/Company  +46 (0)21 14 92 00 www.krusman.se	Konstruerad Av/Designed by	Godkänd Av/Approved by DK	Datum/Date 2023-06-29	Skala/Scale N/A	
	Benämning/Description KND-WTTS-DP (RSK 7635006) Drip pan, Deck mounted, Drain DN32 Installation drawing			Format/Size A3	
			Rev 0	Blad/Sheet 1 (1)	